

# OPERATION MANUAL

## PEN TYPE LOW ION STRENGTH PH METER



- Model:**  86841, pH meter  
 86851, pH meter  
 86861, pH meter

## INTRODUCTION

Congratulations on your purchase of this pen type pH meter. Please read the manual completely before using this meter. Filing and keeping the manual for future reference. Recommended to soak the electrode for at least 30 min. before using to clear up the lazy effect or to make the electrode wet if the pH electrode dries out.

### Features:

- **IP65 Waterproof** housing.
- **Low ion strength** glass ball designed for well water, surface water, lake water, treated effluent water and boiler feed water
- **Dual display** with ATC. (except 8684)
- **Data hold** to freeze readings.
- **Pen size**, easy to fit in pocket.
- **Low battery** indicator.
- **Auto power off**.
- **C/F** unit switchable.
- Power by 4pcs **LR44** batteries.
- **Multi points** calibration.
- **One touch** only for calibration.

## MATERIAL SUPPLIED

This package contains:

- ✓ The meter x 1
- ✓ LR44 button battery x 4
- ✓ Operation manual
- ✓ Color box or plain box

## POWER SUPPLY

The meter is powered by 4 pcs LR44 batteries. To check the battery when:

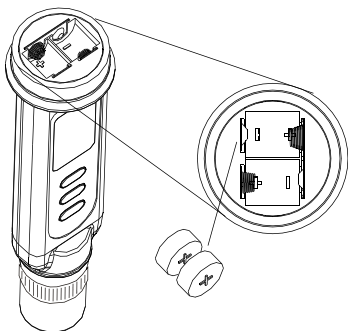
1. First time use
2. The battery symbol appears on LCD
3. The meter can not power on

To install the batteries:

1. Turn off the meter.
2. Loosen the battery cover in counter-clockwise direction. (DON'T discard the black washer!)
3. Replace the old batteries with four new button cells LR44.
4. Make sure the batteries are in place and the polarity is correct.
5. Put back the battery cover & washer and turn it tightly in clockwise direction.

**NOTE:**

1. Please re-calibrate the meters after changing batteries.
2. Remove battery from instruments that you do not plan to use for a month or more. Do not leave battery in instrument.

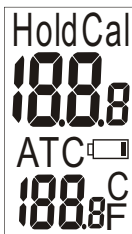


## LCD DISPLAY

86841



86851/86861



**86841/86851/86861**

- The 1st display shows the measured pH reading.
- The 2nd display shows the temp. (86851/86861)
- Cal=Calibration mode
- ATC=Auto Temp. Compensation
- Hold=Data hold

## KEYPAD

86841



HLD



86851/  
86861



HLD



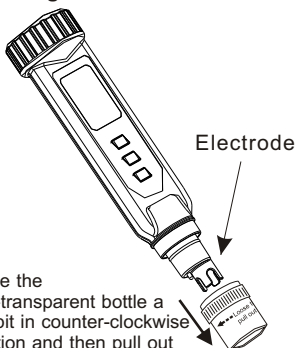
CAL



## OPERATION

1. Remove the probe cover from meter to expose the electrode out. For 86841 /85851/86861, it is normal if you find white crystals are present on the cap or electrode assembly.

**WARNING:** For pH meters, please always make the sponge wet to keep the electrode in a good storage condition.



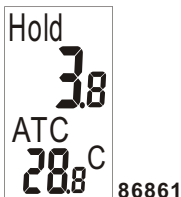
Rotate the semi-transparent bottle a little bit in counter-clockwise direction and then pull out the bottle completely to expose the electrode.

2. Dip the electrode into the test solution. Press "  $\text{Ⓚ}$  " to power on the meter and stir it to get a stable reading.
3. **For 86841/851/861**, a small dot " • " is flashing while the meter is in measurement mode. The LCD not only shows the measured pH value but also displays the temperature on model 86851 and 86861.

**86851**



4. Press "**▲**" to freeze current readings. The text "Hold" will appear on the LCD and the small dot (86841/851/861) will not flash. Press "**▲**" again to release the hold mode.



5. Turn off the meter by pressing "**⓪**" button.
6. Once finishing the measurement, clean the electrode, put back the cap, store the meter under the 0~50°C.
7. Please see page 7 for the calibration procedures.

## **AUTO POWER OFF (SLEEP FUNCTION)**

This meter will shut off automatically 20 minutes of inactivity. For operating longer time, you can disable the sleep mode.

To disable the auto power off:

Before power on, pressing "**⓪**" + "**▲**" keys simultaneously until a "n" appeared on the screen and then release keys to return to normal mode.



**Note: The disable sleep mode will be invalid after every power off.**

## **AUTOMATIC TEMPERATURE COMPENSATION (ATC) & TEMP. UNIT SETTING**

Except 86841, these meters are capable of measuring with Automatic Temperature Compensation. In 86851/86861, "ATC" will show in the middle of the LCD.

### **Temp. Unit Setting 86851/86861**


To select the temp. unit ( $^{\circ}\text{C}$  or  $^{\circ}\text{F}$ ), turn off the meter first. When the meter is off, press "⓪" and "←CAL" at the same time until the C or F appears on the LCD. Press "▲HLD" to select the preferred unit and then press "←CAL" to save. "5R" will appear on the LCD for one sec and then go back to normal.



## **CALIBRATION MODE (CAL)**

Calibration is necessary and should be done regularly, recommended everyday if the meter is used often. The unique calibration design of the meter features automatic buffer recognition to avoid errors.

### **86841 /86851/86861 Calibration**

1. Power on the meter.
2. Place the electrode into a buffer solution (4,7or10), pH7 should be calibrated first and then 4 or 10 pH for better accuracy
3. Press "  " or " CAL " to enter pH calibration mode. The text "CA" ( for 86861 is "CAL") will appear on the LCD for one second and then pH value (4,7 or 10) will be displayed on the LCD.



86861

4. If probe or buffer is in error:  
If the buffer is incorrectly inserted or the probe is damaged or the probe can not detect buffer in below voltage range, the meter will escape calibration mode automatically after 10 seconds. Text "En" or "End" (86861) will appear on the LCD in one second and then will go back to normal status.





Acceptable voltage range of each point:

PH 4.00 : 97mV..... 250mV

PH 7.00 : - 60mV..... 60mV

PH10.00 : - 250mV..... -97mV

5. If the probe recognizes the buffer:

If the probe successfully recognizes the buffer, the buffer pH value (4 or 7 or 10) will appear on the display in 2 seconds.



86851



86861

If the calibration buffer is not 4,7,10 but another value, such as 4.01, just press " **HLD** " to change the value.

6. The adjustable cal. point range for 4.0 pH is from 3.50 to 4.50. For 7.0 pH is from 6.50 to 7.50. For 10.0 pH is from 9.50 to 10.50

7. To save the calibration value:

When the electrode reads a stable value and user stops pressing any keys, the meter will automatically save the value and then escape the calibration mode.



86861



86861

8. Rinse the probe with de-ionized water or a rinse solution (tap water...) after each measurement to last the meter's life.
9. Repeat above steps until the 3 point calibration are finished.

## **MAINTENANCE**

- ✓ Please always keep the pH glass bulb wet by using the cap to protect and store the electrode.
- ✓ Always rinse the pH electrode in de-ionized water or rinse solution (tap water.....) before next use.
- ✓ Never touch or rub glass bulb in order to last pH electrode life.
- ✓ Make sure the electrode is clean. Between measurements, rinse the electrode with deionised water. If the eletrode has been exposed to a solvent immiscible with water, clean it with a solvent miscible with water e.g. ethanol or acetone and rinse carefully with water.
- ✓ Store the electrode carefully.

## TROUBLESHOOTING

### ◆ Power on but no display

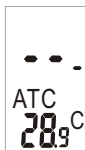
- 1) Make sure the time of pressing power key is more than 100 mS.
- 2) Check the battery are in place and make good contact and correct polarity.
- 3) Replace with new batteries and try again.
- 4) Move away the batteries for one minute and then put back again.

### ◆ Slow response

Clean probe by immersing the electrode in tap water for 10-15 minutes, then rinse thoroughly with distilled water or use a general purpose electrode cleaner.

### ◆ LCD display " - - - "

Out of pH range, too acidic/or too alkaline.



### ◆ "H." Or "L." ( For pH meter)

Out of temp. range, too cold/or too hot.



### ◆ pH value fluctuate quickly

It is normal when the electrode is not immersed in the water but exposed in air.

## SPECIFICATION

<b>SPECIFICATIONS 86841 86851 86861</b>			
Accuracy ±	0.3pH	0.2pH	0.05pH
Cal.Point(4.7.10)	●	●	●
Auto Power Off	●	●	●
Measurement range	2-12	0.0-14.0	0.00-14.00
Temp. Accuracy	±1°C		±0.5°C
Temp. Resolution	0.5°C/°F		0.1°C/°F
Resolution	0.1pH	0.1pH	0.01pH
Hold Data	●	●	●
Unit C/F switchable	●	●	●
ATC (0~50°C)	Default at 25°C		
Self-Calibration	●	●	●
Waterproof (IP65)	●	●	●
Size	165mm(L)x35mm(W)x32mm(T)		

- ✓ Operating Temp.: 0°~50°C (32~122°F)
- ✓ Operating Humidity: 0~80% RH
- ✓ pH calibration buffer suggested:
  - Standard USA buffers
  - Standard NIST buffers
  - Standard DIN buffers
- ✓ Battery Life: >80 hrs continuous use

## **WARRANTY**

The meter is warranted to be free from defects in material and workmanship for a period of one year from the date of purchase. This warranty covers normal operation but does not cover battery, misuse, abuse, alteration, tampering, neglect, improper maintenance, or damage resulting from leaking batteries. Proof of purchase is required for warranty repairs . Warranty is void if the meter used to be taken apart.

## **RETURN AUTHORIZATION**

Authorization must be obtained from the supplier before returning items for any reason. When requiring a RA (Return Authorization), please include data regarding the defective reason, the meters are to be returned along with good packing to prevent any damage in shipment and insured against possible damage or loss .

## **Accuracy, the Zenith of Measuring / Testing Instruments !**

Hygrometer/Psychrometer  
Thermometer  
Anemometer  
Sound Level Meter  
Air Flow meter  
Infrared Thermometer  
K type Thermometer  
K.J.T. type Thermometer  
K.J.T.R.S.E. type Thermometer  
pH Meter  
Conductivity Meter  
T.D.S. Meter  
D.O. Meter  
Saccharimeter  
Manometer  
Tacho Meter  
Lux / Light Meter  
Moisture Meter  
Data logger  
Temp./RH transmitter  
Wireless Transmitter .....

**More products available !**

**2017/09 Ver.1**